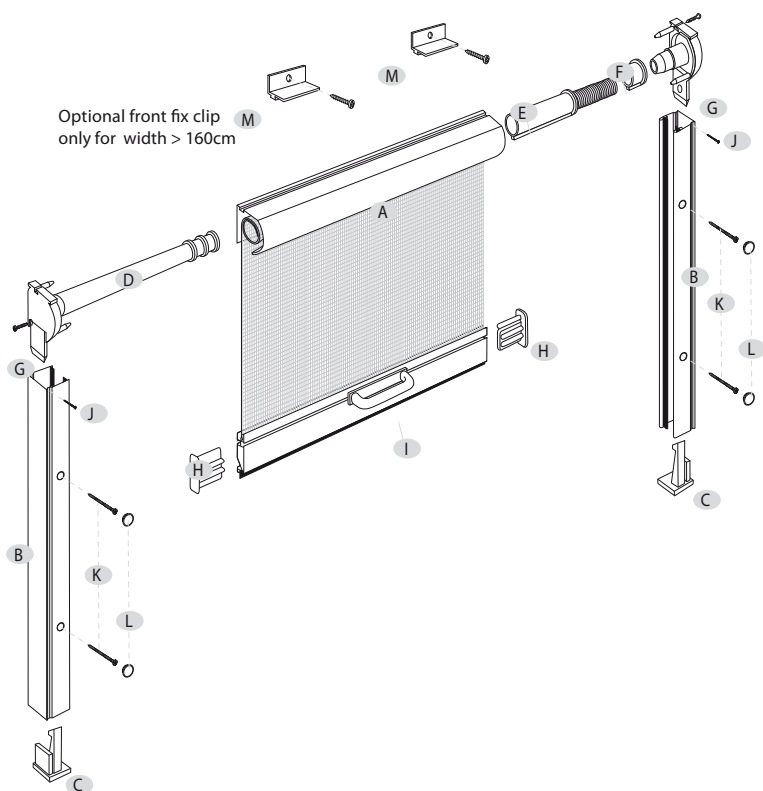


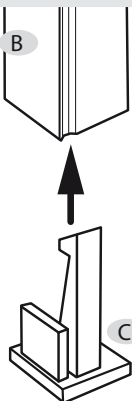
S36 FRONT FIX INSTALLATION GUIDE

PART DESIGNATIONS

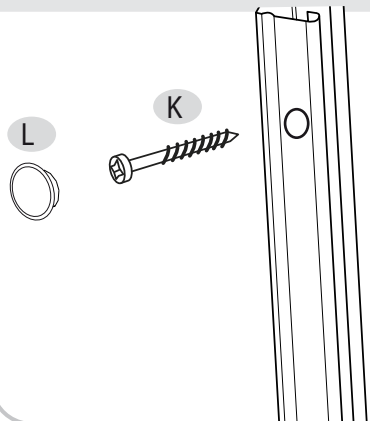
- A Screen Cassette
- B Side Guide with brush
- C Inner Latch
- D Spring Assembly
- E Brake
- F Bushing
- G Cassette End Cap
- H Pull Bar End Cap
- I Pull Handle
- J Screw (endcap fixing)
- K Screw (side guide fixing)
- L 10mm cap
- M Front fix clip only for width > 160cm



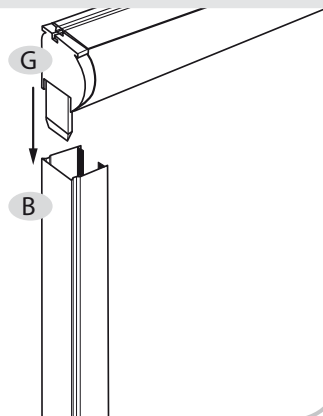
1- Fix the inner latch inside the guide



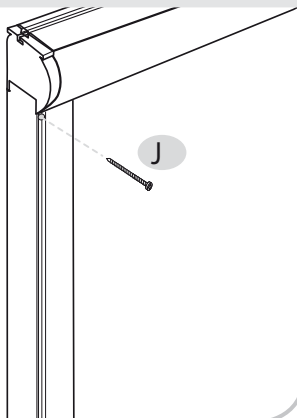
2- Fix frontal screws and 10mm taps



3-A Insert endcap inside the guide



3-B Screw the cassette onto the guides



4- Option: install additional brackets

